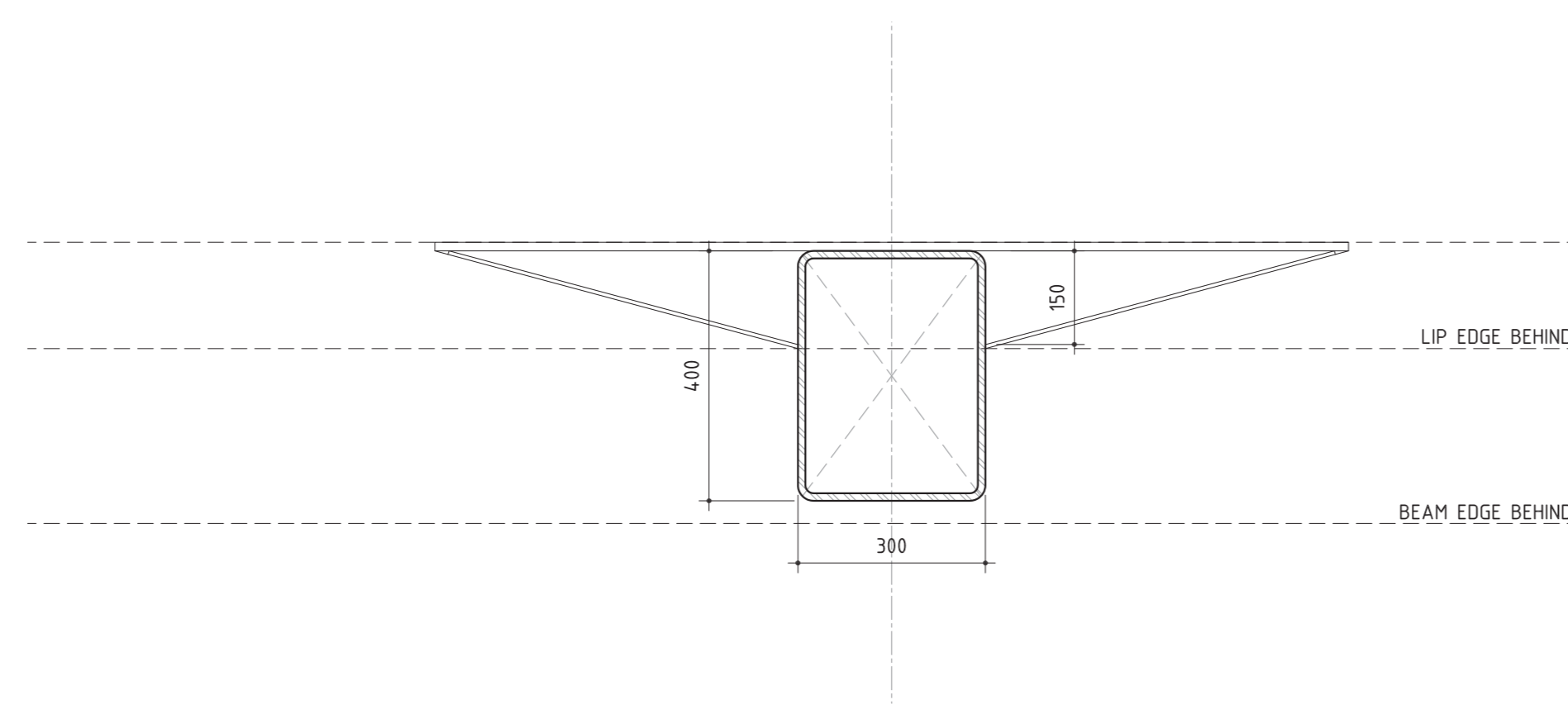
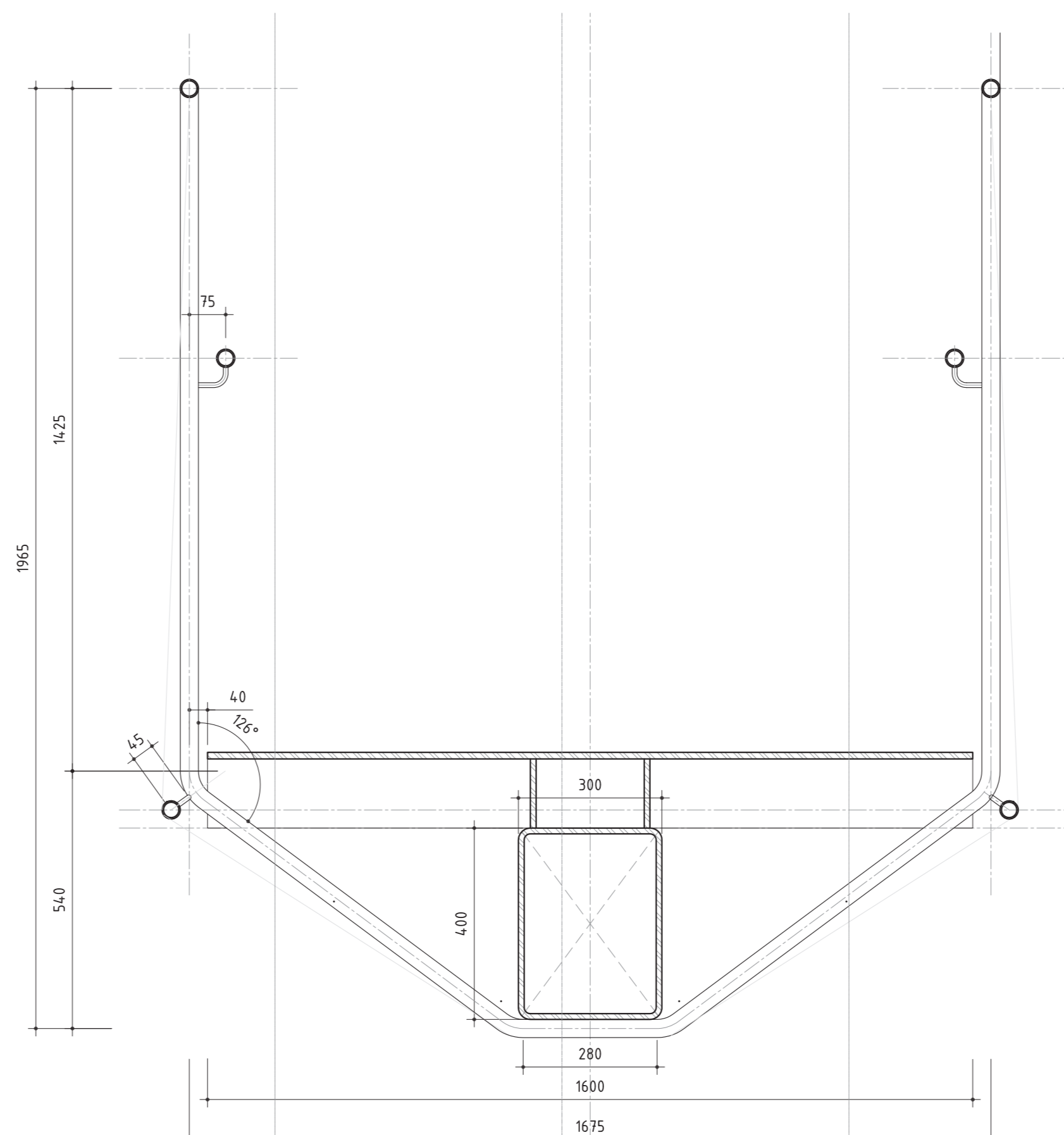


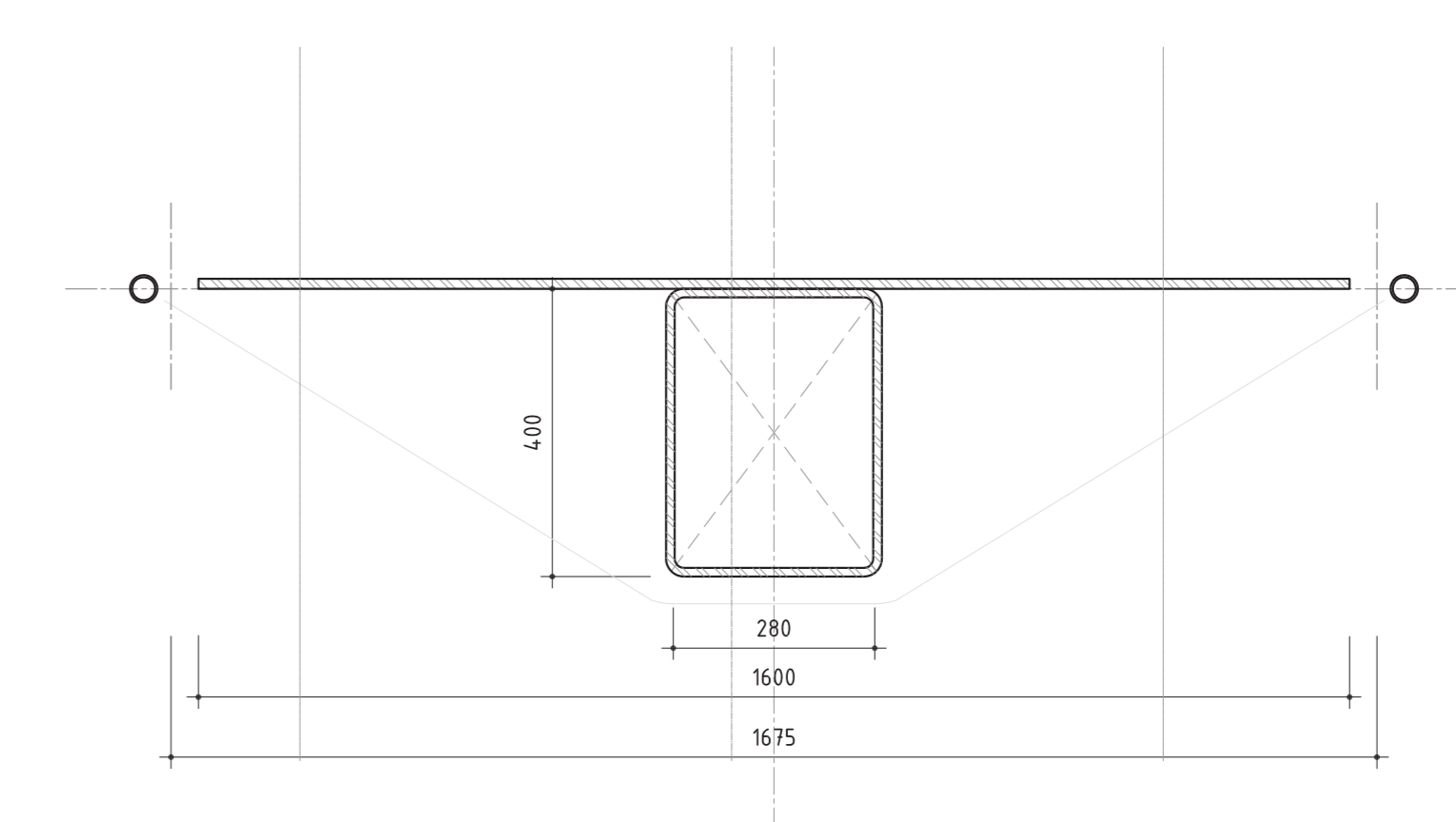
07 SECTION DETAIL
SCALE: 1:10



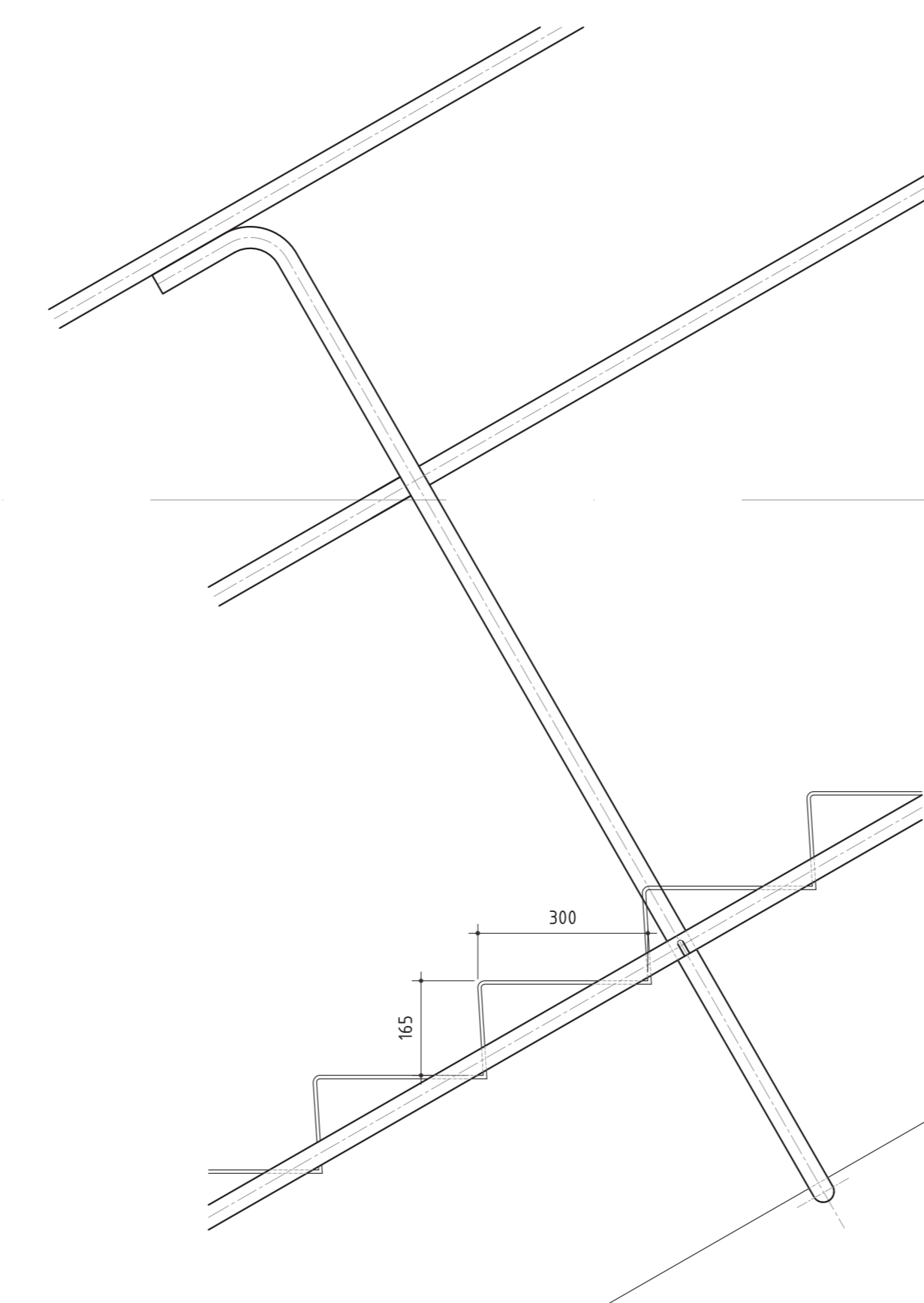
06 CONNECTION DETAIL - ELEVATION
SCALE: 1:10



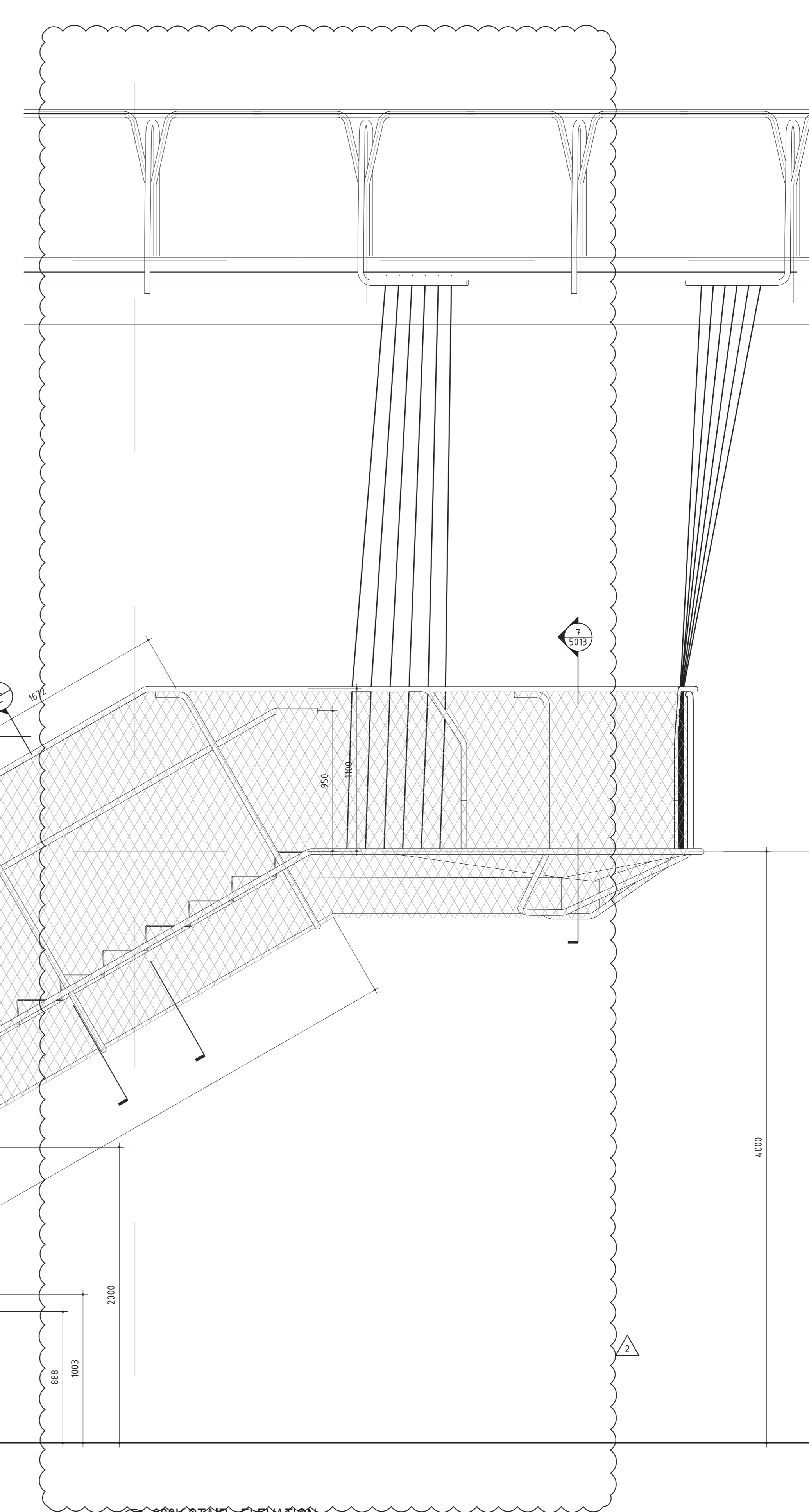
04 SECTION DETAIL
SCALE: 1:10



02 SECTION DETAIL
SCALE: 1:10



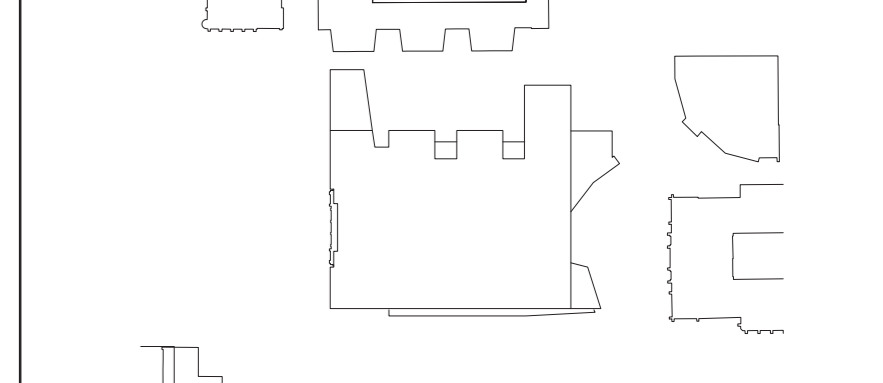
03 BALUSTRADE DETAIL - ELEVATION
SCALE: 1:10



01 000K STAIR - ELEVATION
SCALE: 1:20

05 000K STAIR - ELEVATION
SCALE: 1:20

Rev	Issue	Revision Description	Amd	Date
02	SG	UPDATED STAIR LOCATION AS PER PLAN	-	15.08.13
01	SG	VALUE MANAGEMENT ISSUE	-	28.03.13



NADAAA
 NADAAA
 1500 Washington Street No. 2
 Boston
 Massachusetts
 02118 USA
 Telephone: +1 617 442 8232
 Facsimile: +1 388 442 1417
 Email: nadaa@nadaaa.com

John Wardle Architects
 © 2011 John Wardle Architects
 Level 10, 180 Russell Street, Melbourne Victoria 3000 Australia
 Tel: +613 9654 8700 www.johnwardlearchitects.com

Client: University of Melbourne
 Parkville Campus

Project: Faculty of Architecture
 Building and Planning

Title: 000K STAIR

Project No.	0913	Scale	1:5
Drawing No.	AR5013	Revision	02
Date	Drawn	Co-Ord	Chk

FILENAME - #####
FOR INFORMATION